

### Features

- High Output, high quality, two-way vented system.
- 1x8-in LF
- 1x1-in HF, horn loaded 90° conical coverage pattern
- 300 Watt program power
- Baltic birch plywood enclosure
- 5 Flying points
- Pole mount adaptable

### Description

The S810 passive two way system provides high output and high definition for small clubs or smaller spaces within clubs, and for P.A. applications.

It is designed to ensure reliability under continuous peak output operation.

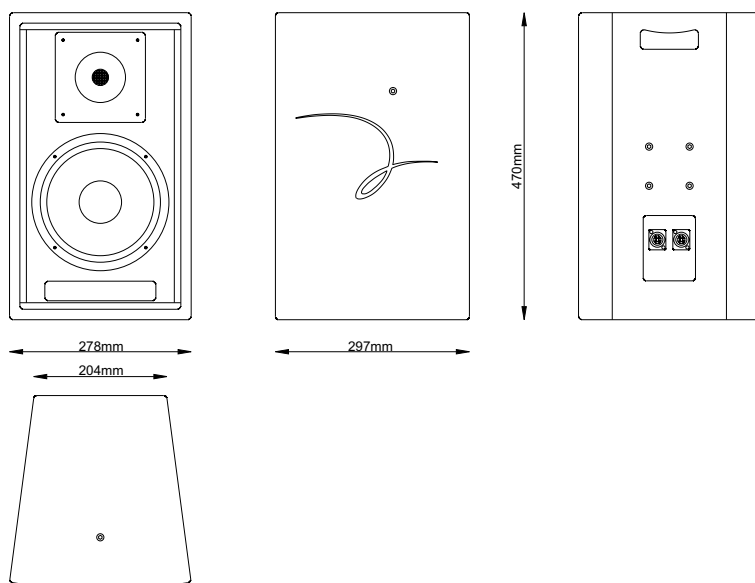
The system has 1 8-in woofer in a vented enclosure and a true 1-in exit compression driver on a 90° conical horn. And a complex asymmetrical passive crossover which ensures coherent summation between both drivers.

### Applications

The S810 is designed to be used in clubs, discos, small fixed sound reinforcement installations as well as mobile sound reinforcement applications.

### Descriptive Data

- Configuration: 2 Way Full Range  
Powering: Full Range, passive LF/HF crossover.  
LF: 1x8-in Woofer  
HF: 1x1-in exit/44mm voice coil
- Cabinet: Trapezoidal  
Cabinet Material: 15mm Baltic Birch plywood  
Finish: Black polyurethane  
Connectors: 2x Neutrik NL4 Speakon  
Dimensions: 278x204x297x470 (FWxRWxDXH)  
Weight: 12 kg.



# S810

# INSTALLATION SERIES

## Nominal Data

Frequency Response 1W @ 1m:  
 ±3 dB 70Hz to 20 kHz  
 -10 dB 55 Hz

Axial Sensitivity, dB SPL 1W @ 1m:  
 90dB

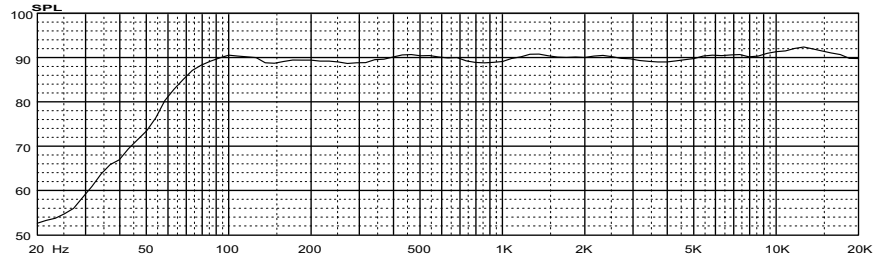
Impedance:  
 8 Ohms

Power Handling:  
 150 W. R.M.S.  
 300 W Program  
 600 W Peak (Short Term)

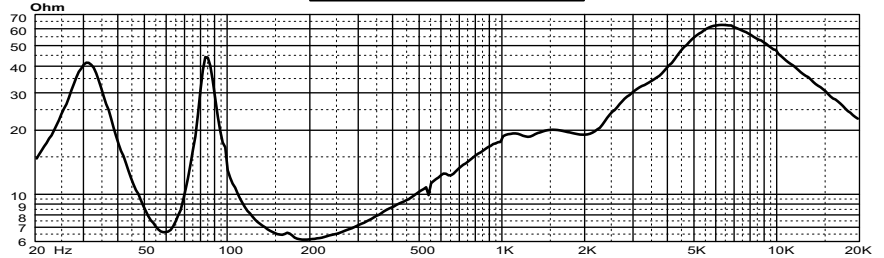
Calculated Maximum Output:  
 Full Range Long Term 115 dB SPL  
 Full Range Peak S. Term 118 dB SPL

Nominal Coverage Angle, -6dB points  
 Conical 90°

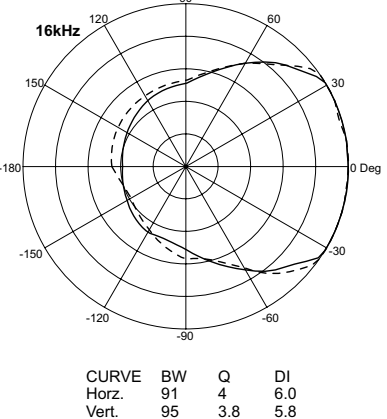
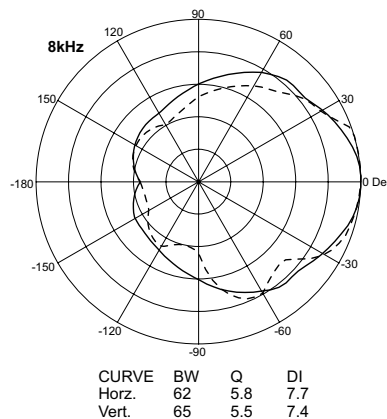
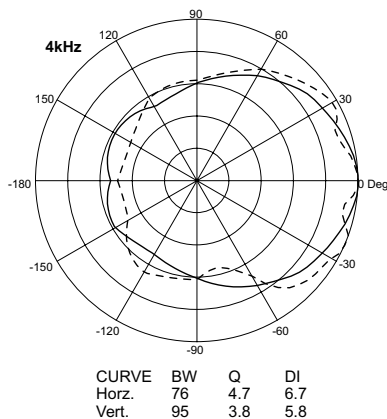
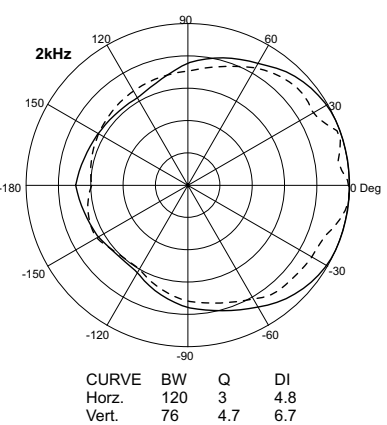
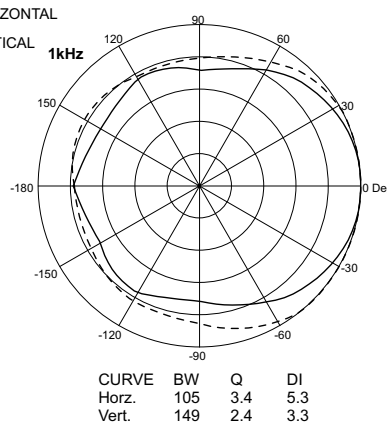
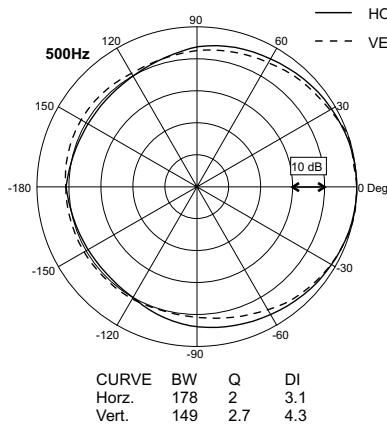
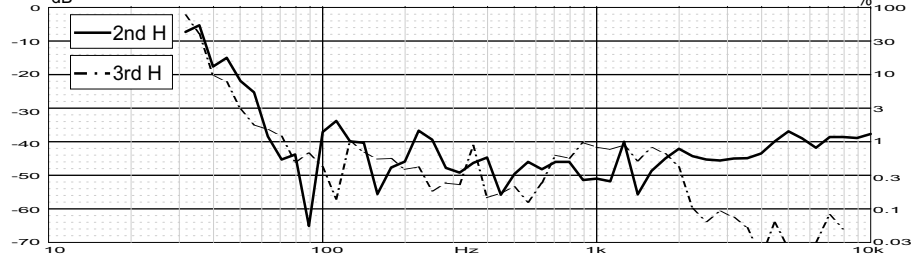
**SPL vs Freq**



**Impedance vs Freq**



**Distortion vs Freq**



Distributed by:



Barrio Elizalde Nº 25 - 10  
 48213 Izurtza - Bizkaia - SPAIN  
 Tel. +34 946 202 338 - Fax. +34 946 202 546  
<http://www.coelsl.com>