

Features

- High Output, high quality, two-way vented system.
- 1x12-in LF
- 1x1-in HF, horn loaded 70°x50° coverage pattern
- 600 Watt program power
- Baltic birch plywood enclosure
- 5 Flying points
- Pole mounting possibility

Description

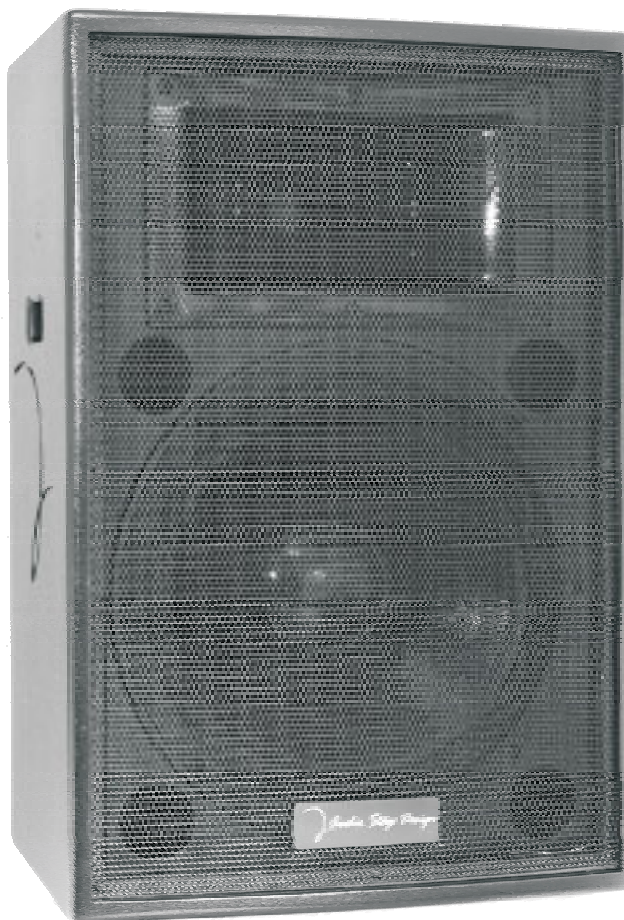
The S1210 passive two way system provides high output and high definition for clubs or smaller spaces within clubs, sound reinforcement and for P.A. applications.

It is designed to ensure reliability under continuous peak output operation.

The system has 1 12-in woofer in a vented enclosure and a true 1-in exit compression driver on a 70°x50° horn. And a complex asymmetrical passive crossover which ensures coherent summation between both drivers.

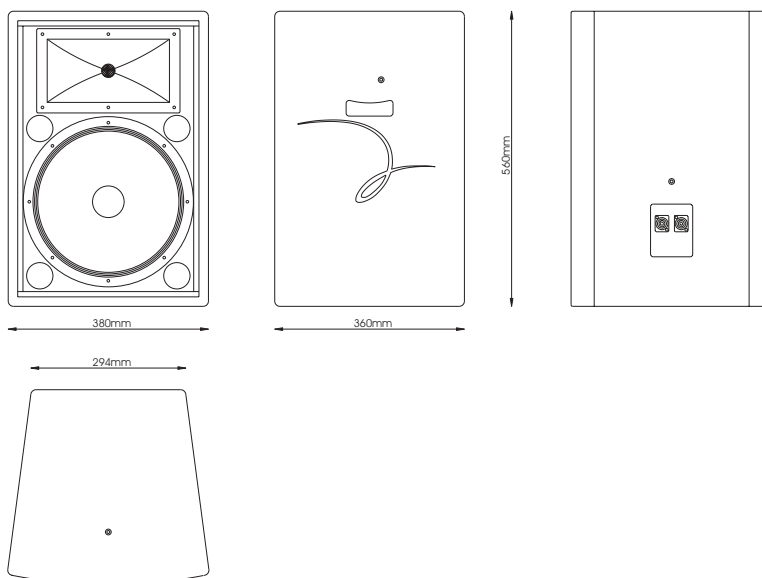
Applications

The S1210 is designed to be used in clubs, discos, fixed sound reinforcement installations as well as mobile sound reinforcement applications.



Descriptive Data

Configuration:	2 Way Full Range
Powering:	Full Range, passive LF/HF crossover.
LF:	1x12-in Woofer
HF:	1x1-in exit/44mm voice coil
Cabinet:	Trapezoidal
Cabinet Material:	15mm Baltic Birch plywood
Finish:	Black polyurethane
Connectors:	2x Neutrik NL4 Speakon
Dimensions(mm):	380x294x360x560 (FWxRWxDXH)
Weight:	19 kg.



S1210

Installation Series

Nominal Data

Frequency Response 1W @ 1m:
 ±3 dB 62Hz to 20 kHz
 -10 dB 50 Hz

Axial Sensitivity, dB SPL 1W @ 1m:
 95dB

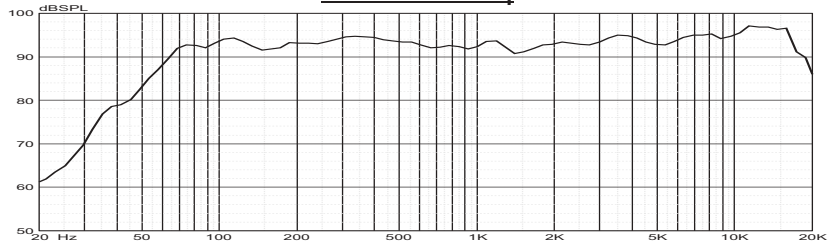
Impedance:
 8 Ohms

Power Handling:
 300 W. R.M.S.
 600 W Program
 900 W Peak (Short Term)

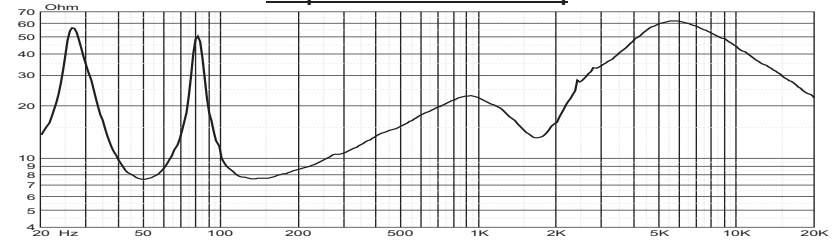
Calculated Maximum Output:
 Full Range Long Term 120 dB SPL
 Full Range Peak S. Term 123 dB SPL

Nominal Coverage Angle, -6dB points
 70° Horizontal, 50° Vertical

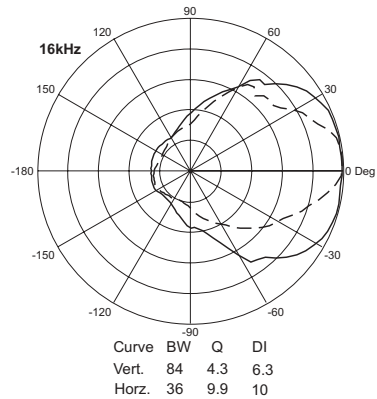
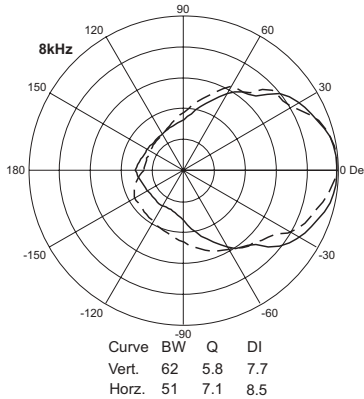
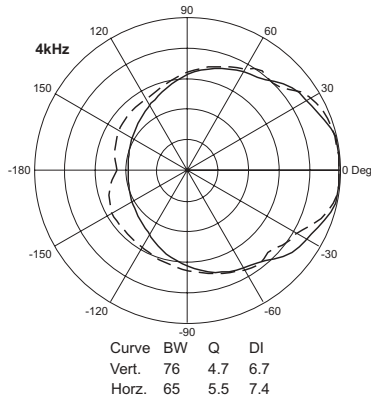
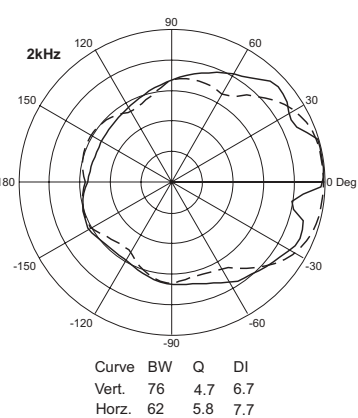
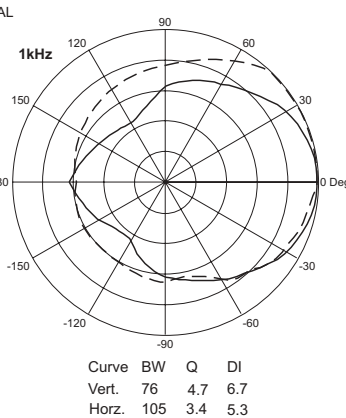
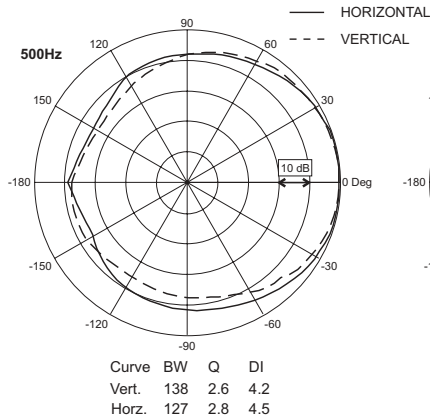
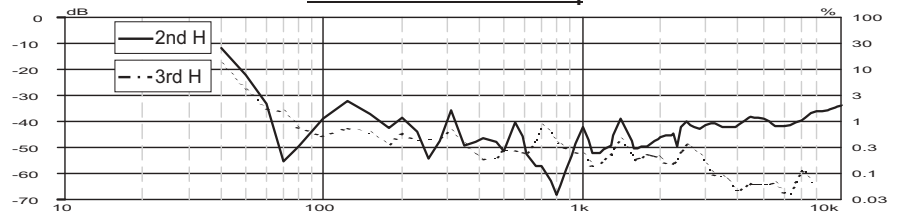
SPL vs Freq



Impedance vs Freq



Distortion vs Freq



Barrio Elizalde Nº25-10
 48213 Izurtza - Bizkaia - SPAIN
 Tel. +34 946 202 338
 Fax. +34 946 202 546
<http://www.coelsl.com>

DEALER: